



# 120x120x38mm

- **Airflow:** 149.7~256.5 CFM
- **Static Pressure:** 18.3~39.9 mm-H<sub>2</sub>O
- **Blade / Housing:** Plastic Material UL 94V-0 P.B.T.
- **Lead Wire:** UL1007 #24 AWG
- **Weight:** 252.5 g

Model No.	Bearing	Rated Voltage	Operating Voltage Range	Speed	Max. Airflow	Max. Static Pressure	Current	Power Consumption	Life at 40°C L10	P-Q Curve	Noise Level
		VDC	VDC	RPM	CFM	mm-H <sub>2</sub> O	mA	W	Hour		dB(A)
FD121238LB-S	2B	12	7~13.2	5000	149.7	18.3	600	7.20	60000	4	61.8
FD121238MB-S	2B		7~13.2	6000	182.2	26.6	900	10.80	60000	3	63.5
FD121238HB-S	2B		7~13.2	7000	203.2	31.1	1150	13.80	60000	2	64.7
FD121238EB-S	2B		7~13.2	8500	256.5	39.9	2200	26.40	60000	1	69.1
FD241238LB-S	2B	24	11~28.0	5000	149.7	18.3	300	7.20	60000	4	61.8
FD241238MB-S	2B		11~28.0	6000	182.2	26.6	450	10.80	60000	3	63.5
FD241238HB-S	2B		11~28.0	7000	203.2	31.1	700	16.80	60000	2	64.7
FD241238EB-S	2B		11~28.0	8500	256.5	39.9	1100	26.40	60000	1	69.1
FD481238LB-S	2B	48	36~56.0	5000	149.7	18.3	170	8.16	60000	4	61.8
FD481238MB-S	2B		36~56.0	6000	182.2	26.6	250	12.00	60000	3	63.5
FD481238HB-S	2B		36~56.0	7000	203.2	31.1	360	17.28	60000	2	64.7
FD481238EB-S	2B		36~56.0	8500	256.5	39.9	600	28.80	60000	1	69.1

2B: 2-ball bearing L: sintetico bearing S: sleeve bearing

**Voltage Available**

05 12 24 48

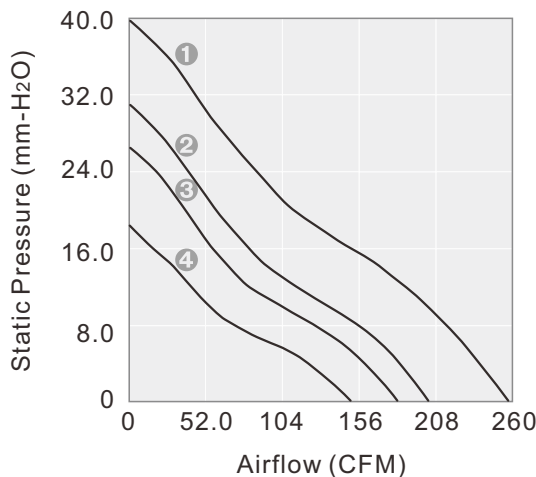
**Bearing System Available**

2B L S

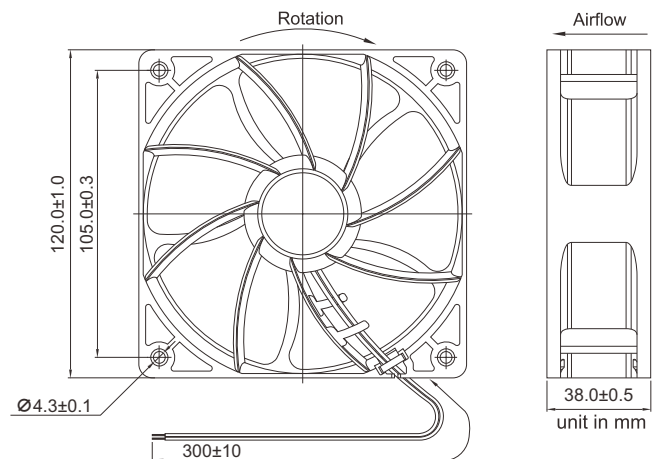
**Function Available**

N A I F R Q S T M V C P D W U

**PERFORMANCE P-Q CURVE**



**OUTLINE DIMENSIONS**



Please refer to *Model Numbering System* for bearing, function and speed level indication. Specifications are subject to changes without notice. Please refer to the formally issued product specification via contacting Y.S. TECH sales department. Visit Y.S. TECH web site at <http://www.ystech.com.tw> for updated information. Customized Specifications are designed accordingly