



80x80x25mm

- Airflow: 31.4~54.5 CFM
- Static Pressure: 2.0~5.9 mm-H₂O
- Blade / Housing: Plastic Material UL 94V-0 P.B.T.
- Lead Wire: UL1007 #24 AWG
- Weight: 88 g

Model No.	Bearing	Rated Voltage VDC	Operating Voltage Range VDC	Speed RPM	Max. Airflow CFM	Max. Static Pressure mm-H ₂ O	Current mA	Power Consumption W	Life at 40°C L10 Hour	P-Q Curve	Noise Level dB(A)
FD128025LB-E	2B	12	7~13.2	2000	31.4	2.0	100	1.20	80000	5	26.6
FD128025MB-E	2B		7~13.2	2300	36.2	2.6	130	1.56	80000	4	29.6
FD128025HB-E	2B		7~13.2	2700	42.3	3.5	190	2.28	75000	3	33.1
FD128025EB-E	2B		7~13.2	3100	48.4	4.6	280	3.36	65000	2	36.1
FD128025EB-E	2B		7~13.2	3500	54.5	5.9	300	3.60	65000	1	38.7
FD248025LB-E	2B	24	12~26.4	2000	31.4	2.0	55	1.32	80000	5	26.6
FD248025MB-E	2B		12~26.4	2300	36.2	2.6	70	1.68	80000	4	29.6
FD248025HB-E	2B		12~26.4	2700	42.3	3.5	90	2.16	75000	3	33.1
FD248025EB-E	2B		12~26.4	3100	48.4	4.6	130	3.12	65000	2	36.1
FD248025EB-E	2B		12~26.4	3500	54.5	5.9	140	3.36	65000	1	38.7
FD488025LB-E	2B	48	24~56.0	2000	31.4	2.0	40	1.92	80000	5	26.6
FD488025MB-E	2B		24~56.0	2300	36.2	2.6	50	2.40	80000	4	29.6
FD488025HB-E	2B		24~56.0	2700	42.3	3.5	70	3.36	75000	3	33.1
FD488025EB-E	2B		24~56.0	3100	48.4	4.6	90	4.32	65000	2	36.1
FD488025EB-E	2B		24~56.0	3500	54.5	5.9	110	5.28	65000	1	38.7

2B: 2-ball bearing L: sintetico bearing S: sleeve bearing

Voltage Available

Bearing System Available

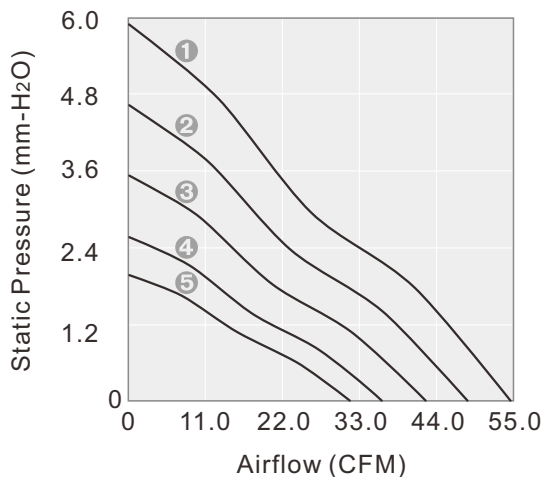
05 12 24 48

2B L S

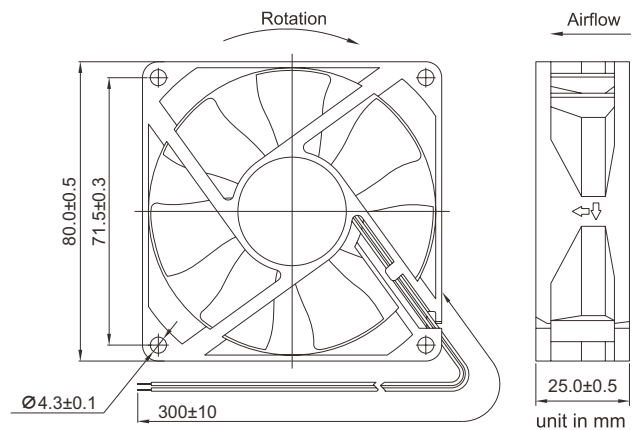
Function Available

N A I F R Q S T M V C P D W U

PERFORMANCE P-Q CURVE



OUTLINE DIMENSIONS



Please refer to *Model Numbering System* for bearing, function and speed level indication. Specifications are subject to changes without notice. Please refer to the formally issued product specification via contacting Y.S. TECH sales department. Visit Y.S. TECH web site at <http://www.ystech.com.tw> for updated information. Customized Specifications are designed accordingly