



80x80x25mm

- **Airflow:** 38.6~55.1 CFM
- **Static Pressure:** 3.9~6.6 mm-H₂O
- **Blade:**
Plastic Material UL 94V-0 P.B.T.
- **Frame:** Die-Casting Aluminum /
Plastic Material UL 94V-0 P.P.S.
- **Weight:** 138 /108 g

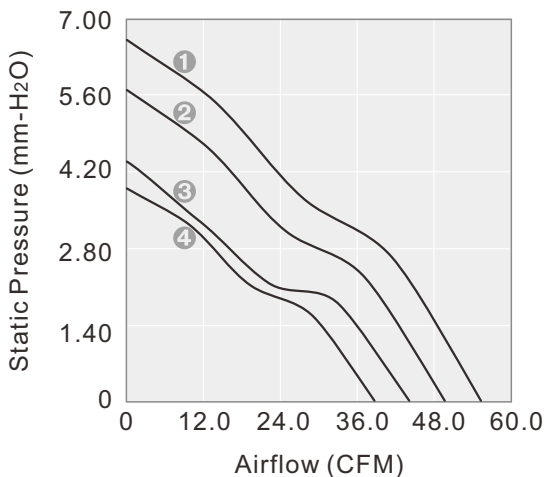
Model No.	Bearing	Rated Voltage	Freq	Speed	Max. Airflow	Max. Static Pressure	Current	Power Consumption	Life at 40°C L10	P-Q Curve	Noise Level
	VAC	Hz	RPM	CFM	mm-H ₂ O	A	W	Hour		dB(A)	
FV18025LBA	2B	110	50/60	2800/3200	38.6/44.1	3.9/4.4	0.11/0.13	1.90/2.40	50000	4/3	34.0/38.5
FV18025MBA	2B		50/60	3200/3600	44.1/49.6	4.4/5.7	0.15/0.17	2.80/3.60	50000	3/2	38.5/42.0
FV18025HBA	2B		50/60	3600/4000	49.6/55.1	5.7/6.6	0.16/0.19	3.40/4.30	50000	2/1	42.0/45.5
FV28025LBA	2B	220	50/60	2800/3200	38.6/44.1	3.9/4.4	0.11/0.13	2.80/3.40	50000	4/3	34.0/38.5
FV28025MBA	2B		50/60	3200/3600	44.1/49.6	4.4/5.7	0.14/0.17	3.80/4.80	50000	3/2	38.5/42.0
FV28025HBA	2B		50/60	3600/4000	49.6/55.1	5.7/6.6	0.15/0.18	4.30/5.30	50000	2/1	42.0/45.5

2B: 2-ball bearing S: sleeve bearing

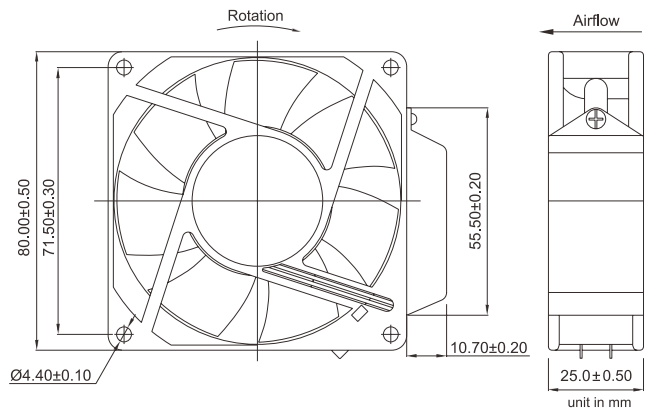
Voltage Available
115 230

Bearing System Available
2B S

PERFORMANCE P-Q CURVE



OUTLINE DIMENSIONS



Please refer to *Model Numbering System* for bearing, function and speed level indication. Specifications are subject to changes without notice. Please refer to the formally issued product specification via contacting Y.S. TECH sales department. Visit Y.S. TECH web site at <http://www.ystech.com.tw> for updated information. Customized Specifications are designed accordingly