



# Ø 254x89mm

- Airflow: 443.0~699.8 CFM
- Static Pressure: 6.87~8.39 mm-H<sub>2</sub>O
- Blade: Plastic Material UL 94V-0 P.B.T.
- Frame: Die-Casting Aluminum
- Weight: 2000 g

Model No.	Bearing	Rated Voltage	Freq	Speed	Max. Airflow	Max. Static Pressure	Current	Power Consumption	Life at 65°C L10	P-Q Curve	Noise Level
		VAC	Hz	RPM	CFM	mm-H <sub>2</sub> O	A	W	Hour		dB(A)
FA125489MBT-T 2B	2B	115	50/60	1400/1600	443/518	6.87/8.39	0.22/0.24	34.0/37.0	40000	②/②	52.6/59.5
FA125489MBL-T 2B	2B			1400/1600	443/518	6.87/8.39	0.22/0.24	34.0/37.0	40000	②/②	52.6/59.5
FA125489HBT-T 2B	2B			2300/2200	700/620	8.90/6.80	0.55/0.62	60.0/67.0	40000	①/①	61.6/57.6
FA125489HBL-T 2B	2B			2300/2200	700/620	8.90/6.80	0.55/0.62	60.0/67.0	40000	①/①	61.6/57.6
FA225489MBT-T 2B	2B	230	50/60	1400/1600	443/518	6.87/8.39	0.16/0.14	34.0/37.0	40000	②/②	52.6/59.5
FA225489MBL-T 2B	2B			1400/1600	443/518	6.87/8.39	0.16/0.14	34.0/37.0	40000	②/②	52.6/59.5
FA225489HBT-T 2B	2B			2300/2200	700/620	8.90/6.80	0.26/0.30	60.0/67.0	40000	①/①	61.6/57.6
FA225489HBL-T 2B	2B			2300/2200	700/620	8.90/6.80	0.26/0.30	60.0/67.0	40000	①/①	61.6/57.6

2B: 2-ball bearing S: sleeve bearing

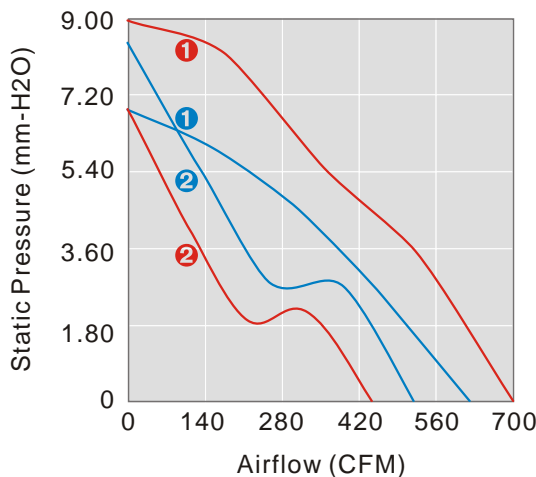
Voltage Available

Bearing System Available

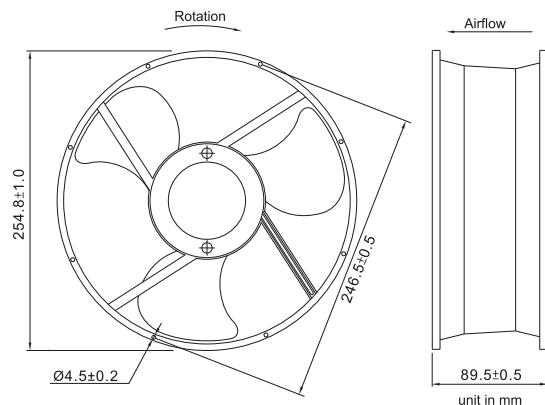
115 230

2B S

### PERFORMANCE P-Q CURVE



### OUTLINE DIMENSIONS



Please refer to Model Numbering System for bearing, function and speed level indication. Specifications are subject to changes without notice. Please refer to the formally issued product specification via contacting Y.S. TECH sales department. Visit Y.S. TECH web site at <http://www.ystech.com.tw> for updated information. Customized Specifications are designed accordingly