



40x40x28mm

- Airflow: 10.3~25.9 CFM
- Static Pressure: 7.9~39.0 mm-H₂O
- Blade / Housing: Plastic Material UL 94V-0 P.B.T.
- Lead Wire: UL1007 #26 AWG
- Weight: 45.1 g

Model No.	Bearing	Rated Voltage	Operating Voltage Range	Speed	Max. Airflow	Max. Static Pressure	Current	Power Consumption	Life at 40°C L10	P-Q Curve	Noise Level
		VDC	VDC	RPM	CFM	mm-H ₂ O	mA	W	Hour		dB(A)
FD054028HB -P	2B	05	4~5.5	8000	14.4	14.6	480	2.04	75000	5	37.5
FD124028LB -P	2B		7~13.2	5000	10.3	7.9	90	1.08	80000	7	24.5
FD124028MB-P	2B		7~13.2	7000	13.0	12.0	150	1.80	80000	6	34.5
FD124028HB-P	2B	12	7~13.2	8000	14.4	14.6	180	2.16	75000	5	37.5
FD124028EB-P	2B		7~13.2	9500	16.5	18.9	260	3.12	65000	4	41.0
FD124028EB-P	2B		7~13.2	11000	19.0	26.2	460	5.52	65000	3	47.0
FD124028EB-P	2B		7~13.2	13000	21.4	31.9	550	6.60	65000	2	49.5
FD124028EB-P	2B		7~13.2	16000	25.9	39.0	750	9.00	65000	1	51.5
FD244028LB -P	2B		12~26.4	5000	10.3	7.9	80	1.92	80000	7	24.5
FD244028MB-P	2B		12~26.4	7000	13.0	12.0	90	2.04	80000	6	34.5
FD244028HB-P	2B	24	12~26.4	8000	14.4	14.6	160	3.84	75000	5	37.5
FD244028EB-P	2B		12~26.4	9500	16.5	18.9	200	4.80	65000	4	41.0
FD244028EB-P	2B		12~26.4	11000	19.0	26.2	280	6.72	65000	3	47.0
FD244028EB-P	2B		12~26.4	13000	21.4	31.9	430	10.32	65000	2	49.5

2B: 2-ball bearing L: sintetico bearing S: sleeve bearing

Voltage Available

05 12 24 48

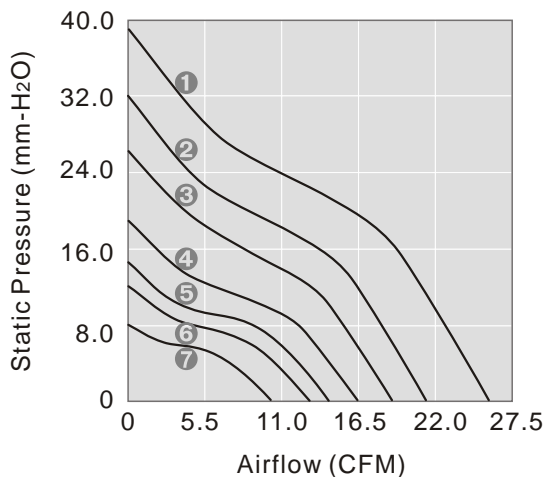
Bearing System Available

2B L S

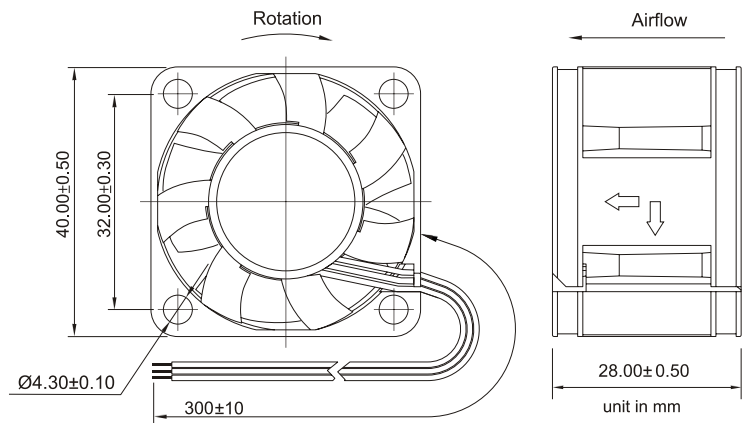
Function Available

N A I F R Q S T M V C P D W U

PERFORMANCE P-Q CURVE



OUTLINE DIMENSIONS



Please refer to Model Numbering System for bearing, function and speed level indication. Specifications are subject to changes without notice. Please refer to the formally issued product specification via contacting Y.S. TECH sales department. Visit Y.S. TECH web site at <http://www.ystech.com.tw> for updated information. Customized Specifications are designed accordingly